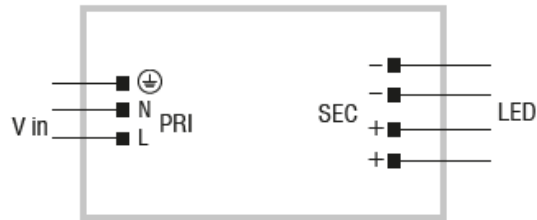
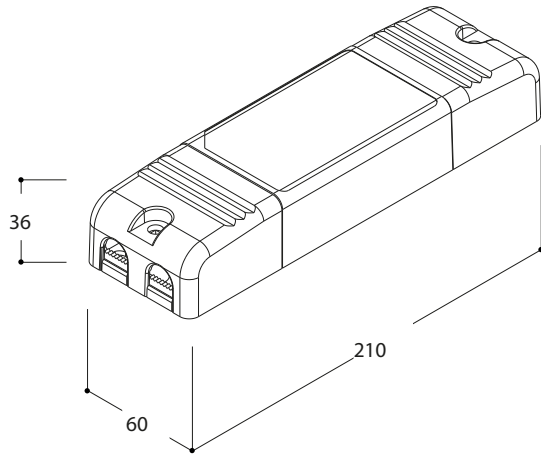


40067: LEDCONVERTER REMOTE 48V 70W IP20



Rated Voltage

Tensione Nominale

220 ÷ 240 V

Frequency

Frequenza

50-60 Hz

AC Operation range

Tensione di utilizzo AC

198 ÷ 264 V

DC Operation range

Tensione di utilizzo DC

(see page info15)

DC 176 ÷ 275 V

(NO 150 W)

Power - Potenza

0 ÷ 150 W

iTHD

≤ 10% ⁽¹⁾

Output current ripple

≤ 3% ⁽¹⁾

Standards compliance

EN 55015

EN 61000-3-2

EN 61000-3-3

EN 61347-1

EN 61347-2-13

EN 61547

VDE 0710-T14

Max. pcs for CB B16A

(see page info17)

15 pcs

In rush current

15A 600μsec

Max. pcs for CB B16A

(see page info17)

8 pcs (for DC 150)

In rush current

35A 100μsec

(for DC 150)



P out W	V out DC	I out DC	ta °C	tc °C	λ max. Power Factor	η max. Efficiency ⁽¹⁾
70	48	1,45 A max.	-40...+45	70	0,97	> 91 %

Features

- AC/DC electronic driver with output in voltage, specific for installations in compliance with the standards of lighting applications.
- IP20 independent driver, for indoor use.
- Class I protection against electric shock for direct or indirect contact.
- Input and output terminal blocks on opposite sides.
- Single terminal block on primary (wire cross-section up to 0,75 - 2,5 mm²/ AWG18 - AWG13).
- Double terminal blocks on secondary (wire cross-section up to 0,5 - 2,5 mm² / AWG20 - AWG13).
- Clamping screws on primary and secondary circuits for cables with diameter: min. 6 mm - max. 9 mm.
- Protections:
 - against overheating and short circuits;
 - against mains voltage spikes;
 - against overloads.
- Thermal protection = C.5.a.